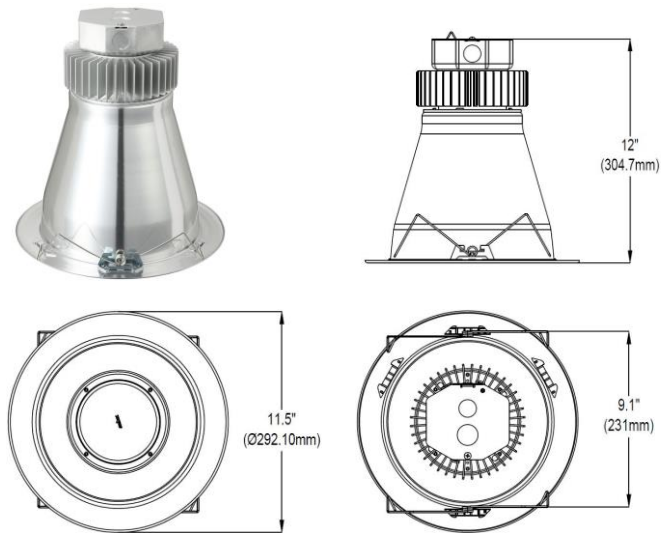
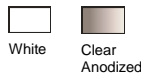




Aluminum surface with Trim color:



Line Voltage

120Vac or 277Vac line voltage, self-selected

DL2e-DC

Junction Box*, IC Rated

60 degree beam

28 watts standard (de-rated wattage available)

50,000 hours rated life

5 Year Warranty

Suitable for Dry or Damp Location

When ordering for damp location, request the lens to be sealed.

Operating Temperatures:

-40°F to 106°F

-40°C to 40°C

White	CCT	CRI	Input Power (W)	Lumen Output (120V/277V)	eff (lm/w) (120V/277V)	Power Factor (120V/277V)
Soft	2700K	81	28	2440 / 2500	87 / 89	100 / 93
Warm	3000K	81	28	2440 / 2500	87 / 89	100 / 93
Neutral	3500K	83	28	2465 / 2520	88 / 90	100 / 92
Cool	4000K	84	28	2520 / 2590	90 / 92	100 / 93
Daylight	5000K	81	28	2550 / 2665	93 / 95	100 / 93



3500K	Standard Frosted Lens	
Input Power (W)	Lumen Output	Eff (lm/w)
28	2520	90
26	2275	91
24	2210	92

Mounting:
IC Rated - Mounts to sheet rock or drop ceiling 9"~10.5" hole

Application:
Commercial & Residential

Weight: 3.3 lbs

Performance:

The **DL2e-DC Downlight** is powered by a **MCOB (Multi-Chip-On-Board)** light engine. enLux's proprietary thermal management enables the LED emitter to operate at the lowest possible junction temperature which ensures long life and excellent efficacy. A unique **Osram Duris E5** LED emitter is employed for the production of the engine.

The **enLux DL2e-DC Down Light** aluminum housing is finished in an ultra-durable top coat, safe, cool-to-the-touch, 100% recyclable (no mercury or hazardous materials)**.

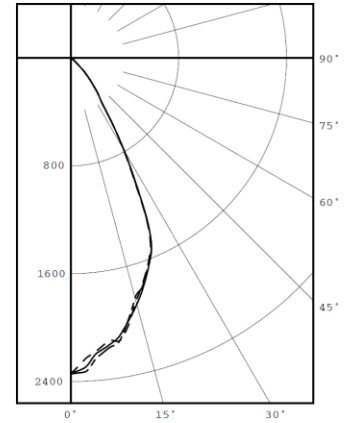
*California Title 24 compliant, **California Title 22 compliant





DL2e-DC 28W Down Light Photometric

0 ft	Illuminances Distribution Ratio					
3 ft				0.019	1.000	
6 ft			0.005	0.095	0.250	
9 ft		0.002	0.020	0.072	0.111	
12 ft	0.000	0.001	0.007	0.024	0.049	0.063
15 ft	0.001	0.003	0.010	0.021	0.034	0.040
	15 ft	12 ft	9 ft	6 ft	3 ft	CL

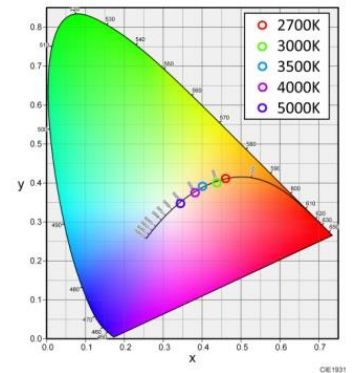


Candle Power Distribution

DL2e-DC 28W Illuminance at Beam Centerline

CCT	P/N	Total Lumen	Throw Distance (feet)				
			6	9	12	18	24
2700K	86120X	2500	75.9	33.7	18.9	8.4	4.8
3000K	86220X	2500	75.9	33.7	18.9	8.4	4.8
3500K	86320X	2520	76.5	34.0	19.1	8.5	4.8
4000K	86420X	2590	78.6	34.9	19.6	8.7	5.0
5000K	86520X	2665	80.9	35.9	20.2	9.0	5.1

Unit in foot-candle (fc), 1 fc = 10.76 lux



Product code	Color CCT	Input Power	Voltage	Trim Type/ Configuration	Trim Color
8	61 2700K	2 28W (De-rated Wattage Available)	0 120V/277V Self-selected	4 Deep Cone 10"/ Drop Ceiling	WF White (Flat Paint) CA Clear Anodized
	62 3000K			5 Deep Cone 10"/ Sheet Rock Ceiling	
	63 3500K				
	64 4000K				
	65 5000K				

Examples						
863204-CA	DL2e Down Light	3500K	28W	120V/277V	Deep Cone 10"/ Drop Ceiling	Clear Anodized Trim
866205-WF	DL2e Down Light	4500K	28W	120V/277V	Deep Cone 10"/ Sheet Rock Ceiling	White (flat paint) Trim